
BLUE SEAL®

EVOLUTIONSERIES

Electric Dedicated Griddle
EP514 / EP516 / EP518

Electric Dedicated Griddle Range
EP506 / EP56

Service Manual





WARNING: ALL INSTALLATION AND SERVICE REPAIR WORK MUST BE CARRIED OUT BY QUALIFIED PERSONS ONLY.



IMPORTANT: MAKING ALTERATIONS MAY VOID WARRANTIES AND APPROVALS.

This manual is designed to take a more in depth look at the Blue Seal Electric dedicated griddles and ranges for the purpose of making the units more understandable to service people.

There are settings explained in this manual that should never require to be adjusted, but for completeness and those special cases where these settings are required to change, this manual gives a full explanation as to how, and what effects will result.

Section	Page Number
1. Specifications.....	1
2. Installation.....	
3. Operation.....	
4. Cleaning / Maintenance.....	
5. Trouble-shooting Guide.....	
5.1 Trouble-shooting Chart	
5.2 Fault Diagnosis	
6. Service Procedures.....	
6.1 Access	
6.2 Replacement	
6.3 Adjustment / Calibration	
7. Accessories.....	
8. Exploded Parts Diagrams.....	
8.1 EP514 600mm Griddle	
8.2 EP516 900mm Griddle	
8.3 EP518 1200mm Griddle	
8.4 Base Options	
9. Service Contacts.....	



Model Numbers Covered in this Specification

External Dimensions

Gas Supply (Non-UK Models)

3 Operation

NOTE: A full user's operation manual is supplied with the product and can be used for further referencing of installation, operation and service.

3.1 Description of controls

5

Trouble-shooting



WARNING: ALL INSTALLATION AND SERVICE REPAIR WORK MUST BE CARRIED OUT BY QUALIFIED PERSONS ONLY.

5.1 Trouble-shooting chart

Fault	Possible Cause	Remedy

5 **Trouble-shooting**

5.2 **Fault Diagnosis**

5.2.1

Section	Page Number
6.1 Access.....	15
6.1.1 Control Panel.....	15
6.2 Replacement.....	15
6.2.1 Thermocouple.....	15
6.2.2 Pilot Injector.....	15
6.2.3 Pilot Burner.....	16
6.2.4 Burners.....	16
6.2.5 Main Injectors.....	16
6.2.6 Gas Control Valve.....	16
6.3 Adjustment / Calibration.....	17
6.3.1 Gas Control Re-greasing.....	17
6.3.2 Low Fire Rate Adjustment.....	17



WARNING:

ALL INSTALLATION AND SERVICE REPAIR WORK MUST BE CARRIED OUT BY QUALIFIED PERSONS ONLY.

ENSURE GAS SUPPLY IS SWITCHED OFF BEFORE SERVICING

ALWAYS CHECK / TEST FOR GAS LEAKS AFTER SERVICE REPAIRS ON THE GAS SYSTEM

6.1 Access

6.1.1 Control panel

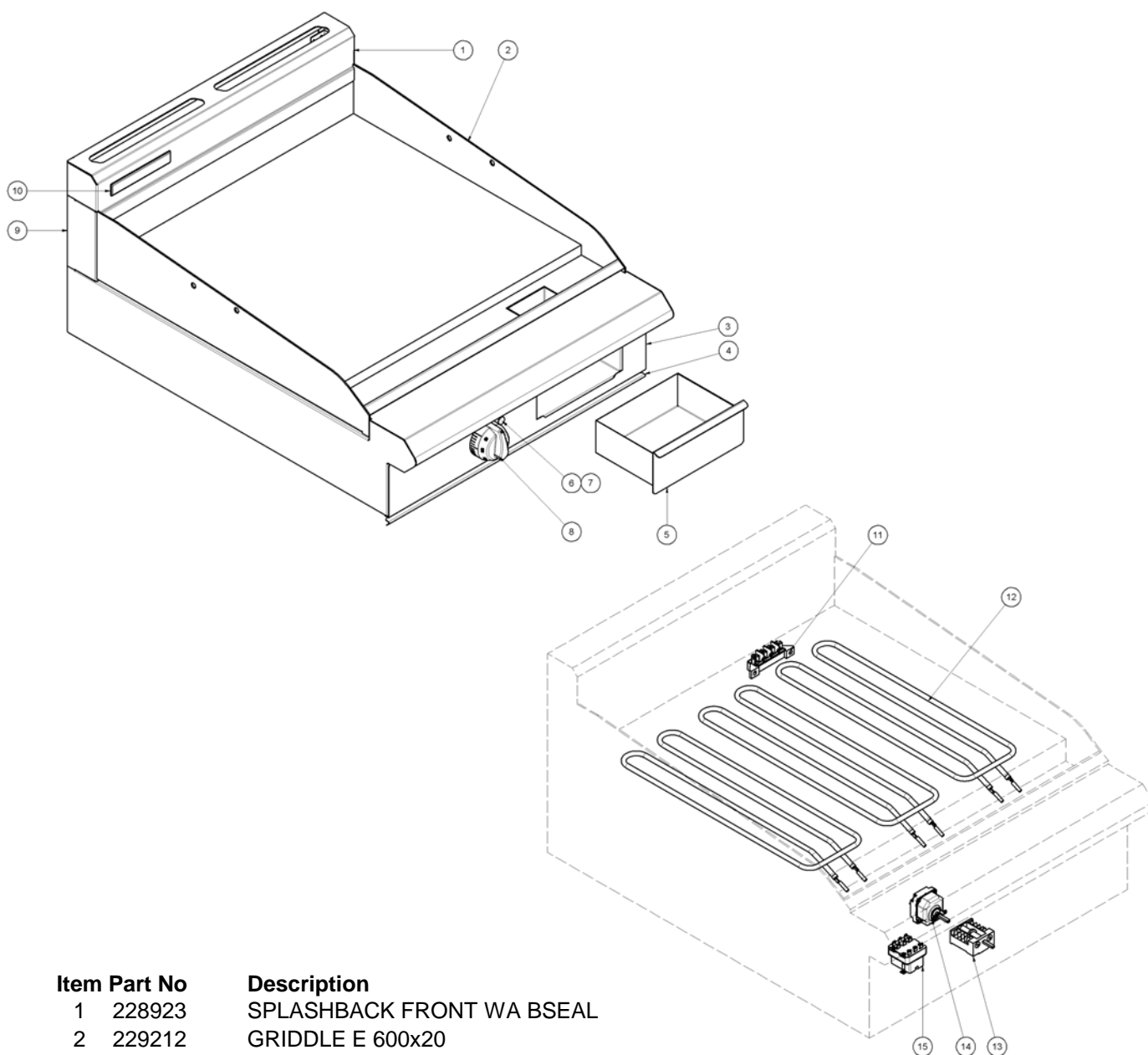
1)

6.2 Replacement

6.2.1

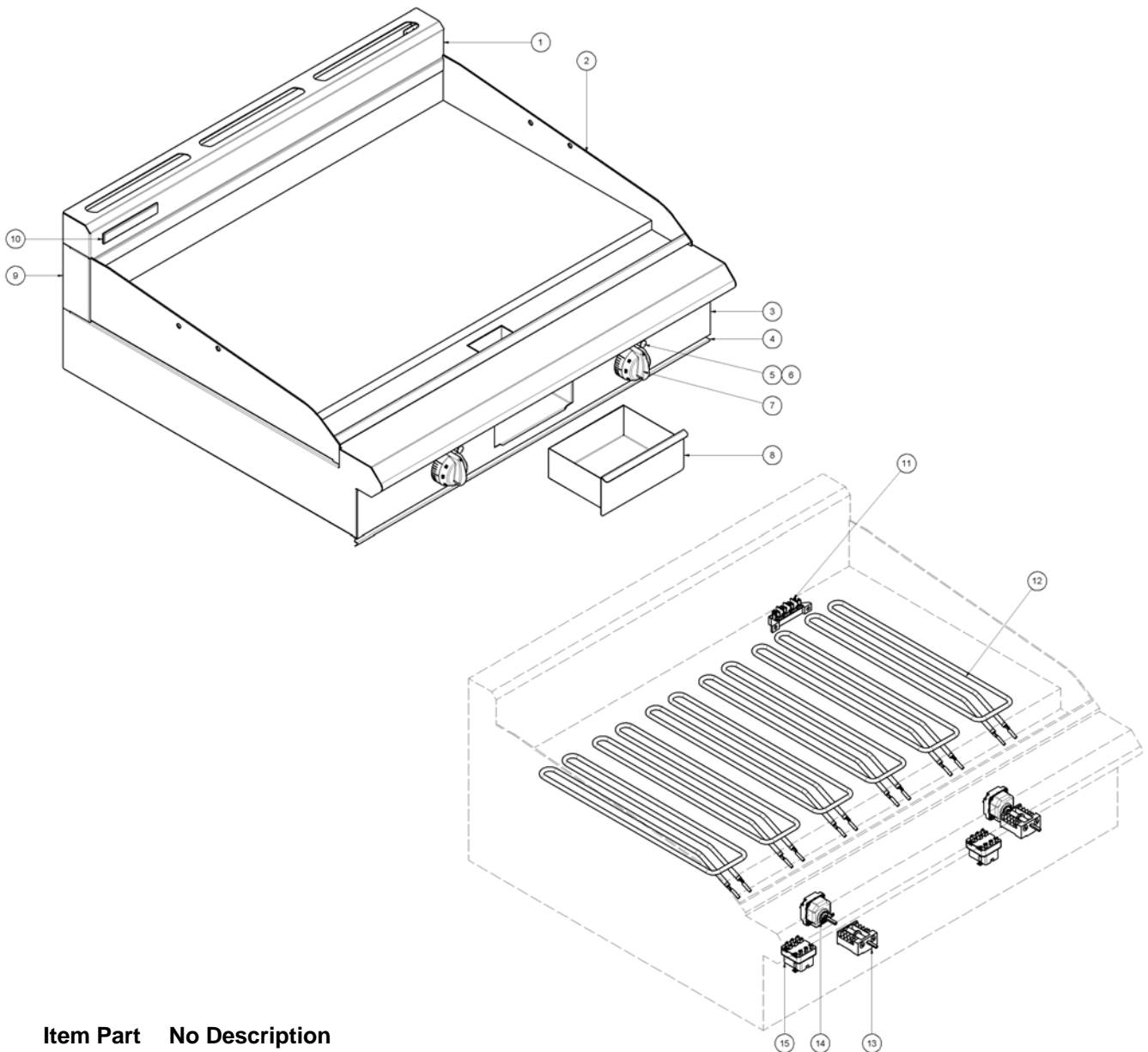
Figure 6.1.1

8.1 EP514 600mm Griddle



Item	Part No	Description
1	228923	SPLASHBACK FRONT WA BSEAL
2	229212	GRIDDLE E 600x20
	229267	GRIDDLE E 600x20 CHROMED
	229266	GRIDDLE E 600x20 CHROMED 300mm RIBBED RH
	229268	GRIDDLE E 600x20 CHROMED 600mm RIBBED
3	229257	CONTROL PANEL EP514
4	227584	FRONT TRIM BSEAL
5	228400	GREASE DRAWER WA
6	227963	NEON ORANGE
7	228922	NEON CLEAR
8	227392	KNOB BSEAL 6MM 320-50°C
9	228173	SPLASHBACK ENDS
10	227960	BLUE SEAL BADGE
11	229021	TERMINAL BLOCK
12	229213	ELEMENT 2400W
13	229145	SWITCH EGO 42-04400-008
14	229146	THERMOSTAT 55-34054-060
15	229353	OVERTEMP THERMOSTAT 360DEG C

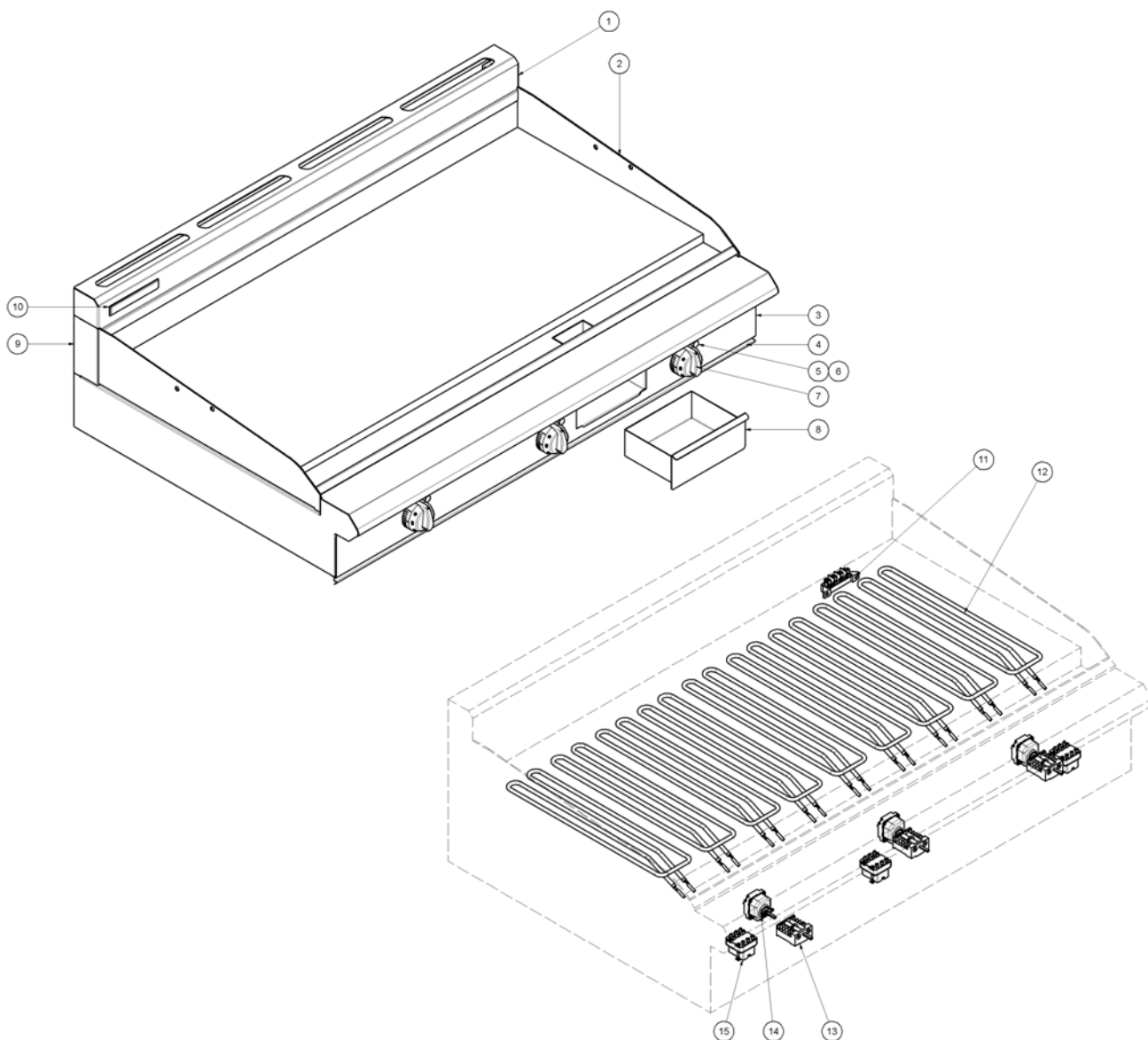
8.2 EP516 900mm Griddle



Item Part No Description

1	228924	SPLASHBACK 900 BSEAL WA
2	229248	GRIDDLE E 900x20
	229270	GRIDDLE E 900x20 CHROMED
	229271	GRIDDLE E 900x20 CHROMED 300mm RIBBED RH
3	229258	CONTROL PANEL EP516
4	227580	FRONT TRIM BSEAL
5	227963	NEON ORANGE
6	228922	NEON CLEAR
7	227392	KNOB BSEAL 6MM 320-50°C
8	228400	GREASE DRAWER WA
9	228173	SPLASHBACK ENDS
10	227960	BLUE SEAL BADGE
11	229021	TERMINAL BLOCK
12	229245	ELEMENT 2000W
13	229145	SWITCH EGO 42-04400-008
14	229146	THERMOSTAT 55-34054-060
15	229353	OVERTEMP THERMOSTAT 360DEG C

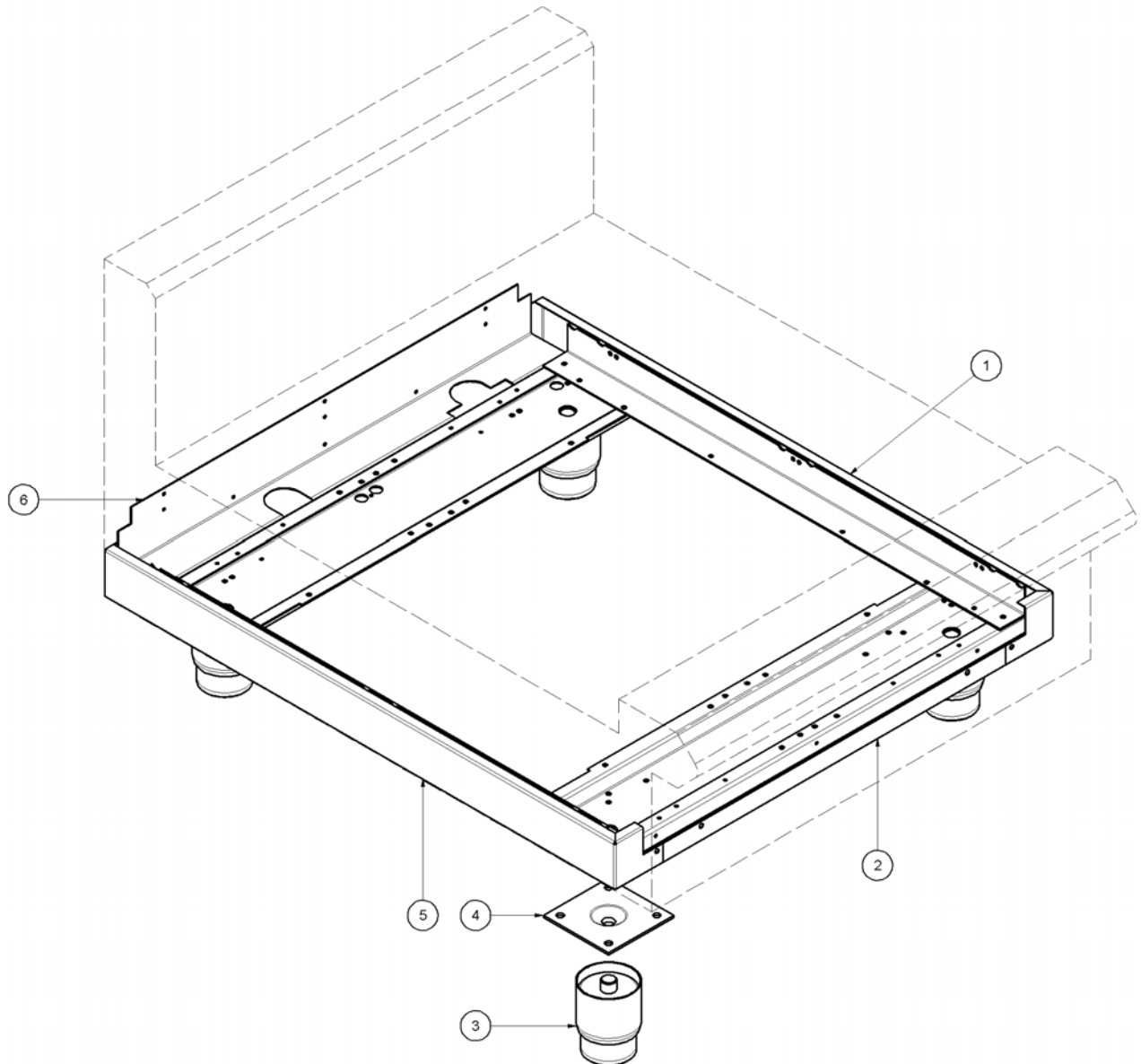
8.3 EP518 1200mm Griddle



Item	Part No	Description
1	228181	SPLASHBACK FRONT WA WLDF
2	229279	GRIDDLE E 1200x20
	229281	GRIDDLE E 1200x20 CHROMED
	229282	GRIDDLE E 1200x20 CHROMED 400mm RIBBED RH
3	228202	CONTROL PANEL ELECTRIC
4	227588	FRONT TRIM WLDF
5	227963	NEON ORANGE
6	227962	NEON GREEN
7	227399	KNOB WLDF 6MM 300-50°C
8	228400	GREASE DRAWER WA
9	228173	SPLASHBACK ENDS
10	227618	WALDORF BADGE
11	229021	TERMINAL BLOCK
12	229245	ELEMENT 2000W
13	229145	SWITCH EGO 42-04400-008
14	229146	THERMOSTAT 55-34054-060
15	229353	OVERTEMP THERMOSTAT 360DEG C

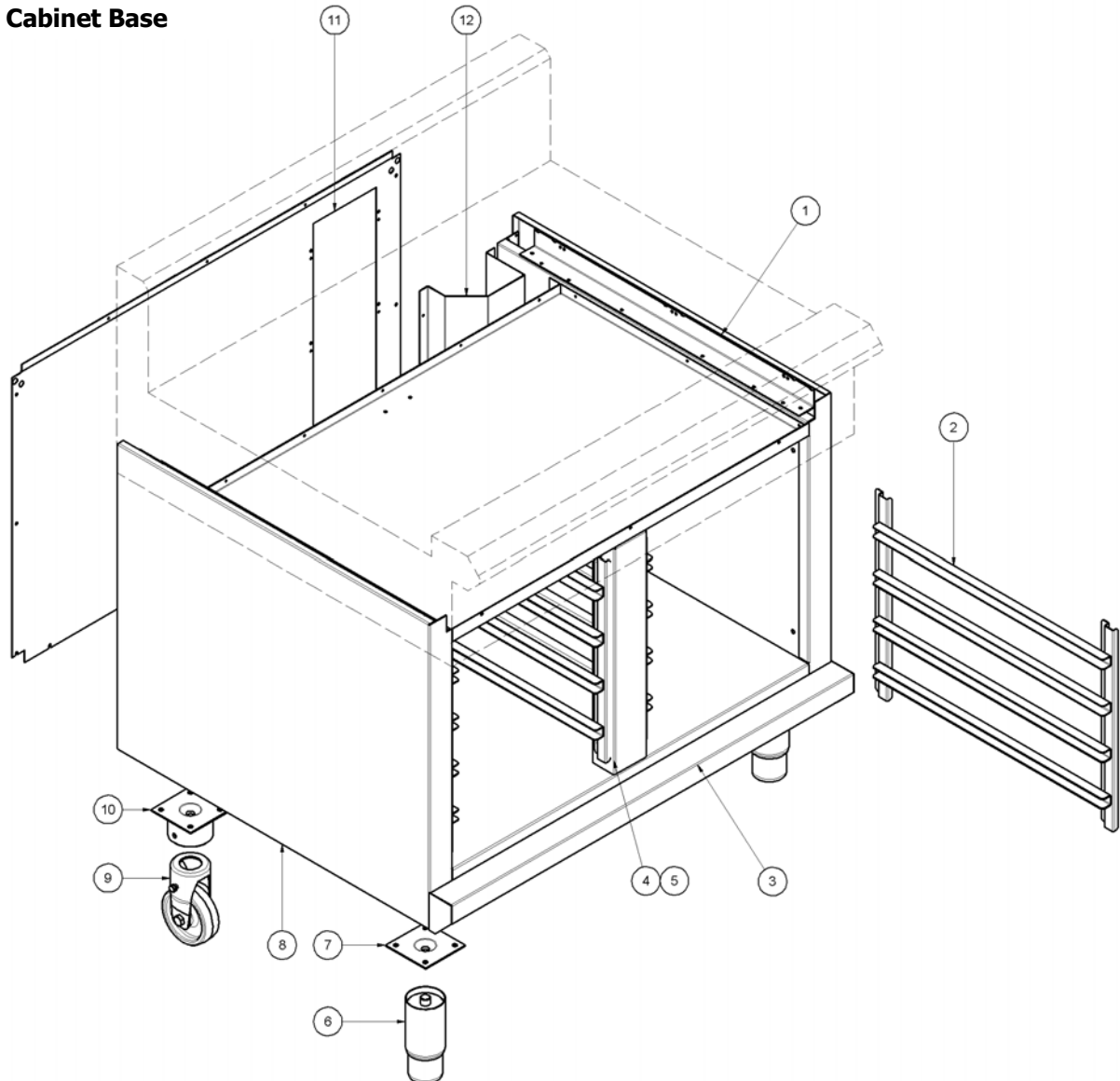
8.4 EP51 Base Options

8.4.1 Bench Mount Base



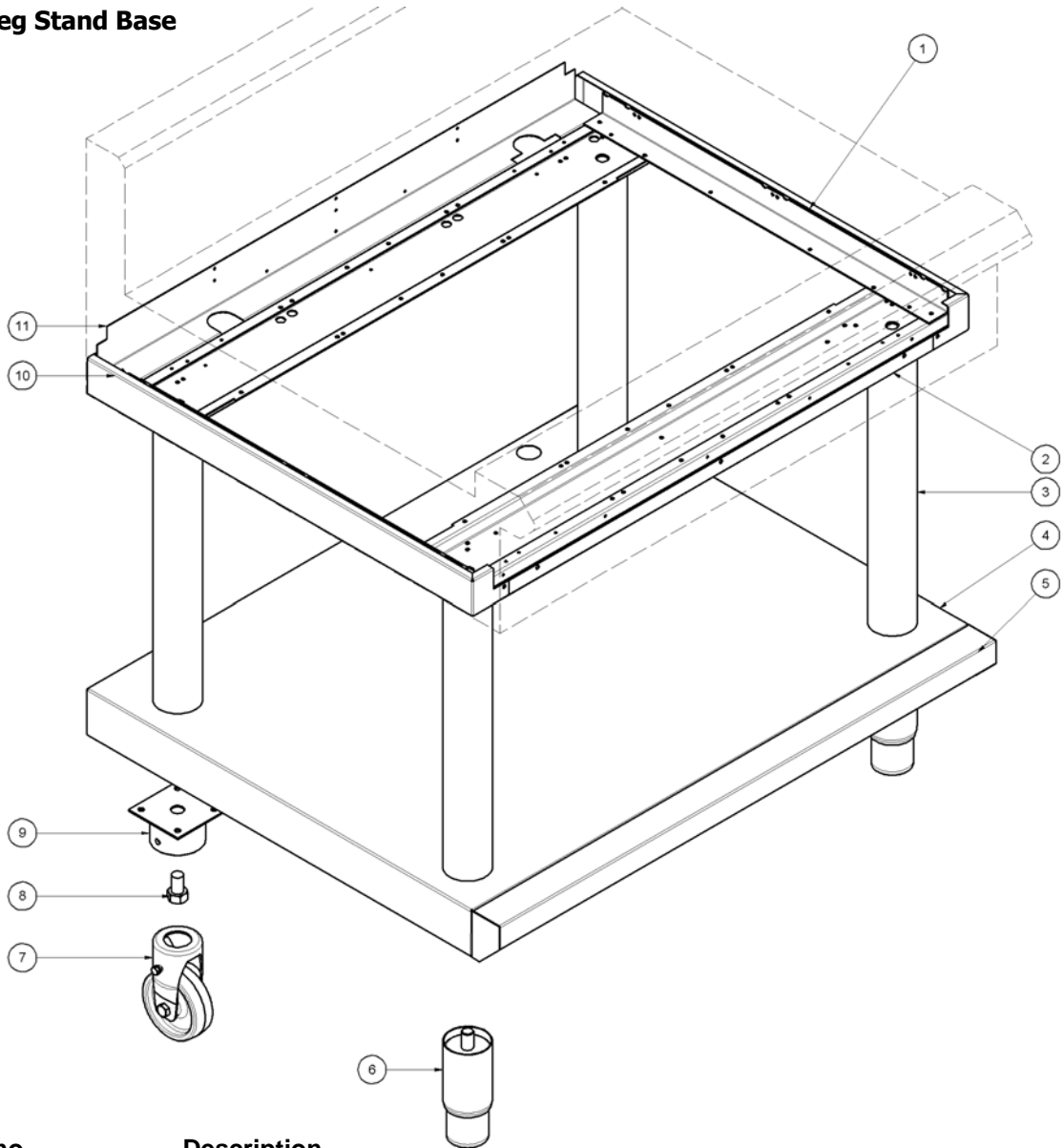
Item	Part No	Description
1	230354	SIDE COVER RH
2	227123	TOP TRIM 600MM WIDE
	227120	TOP TRIM 900MM WIDE
	227125	TOP TRIM 1200MM WIDE
3	227855	LEG 80MM X Ø63.5
4	227852	LEG PLATE
5	230355	SIDE COVER LH
6	228313	HOB BACK PANEL SUPPORT 600MM WIDE
	227121	HOB BACK PANEL SUPPORT 900MM WIDE
	228314	HOB BACK PANEL SUPPORT 1200MM WIDE

8.4.2 Cabinet Base



Item	Part No	Description
1	227048	SIDE PANEL RH
2	228321	SIDE RACK WA
3	227075	SILL 600MM WA
	227901	SILL 900MM WA
	227409	SILL 1200MM WA
4	227790	FILLER 600MM
	227789	FILLER 900MM
	227791	FILLER 1200MM
5	227788	SIDE SUPPORT 600MM
	227787	CENTRE SUPPORT 900MM
	227786	CENTER SUPPORT 1200MM
6	227850	LEG 150MM X Ø63.5
7	227852	LEG PLATE
8	227049	SIDE PANEL LH
9	229674	REAR ROLLER ASSEMBLY
10	229671	LEG RING PLATE THREADED
11	227040	BACK PANEL 600MM WIDE
	227104	BACK PANEL 900MM WIDE
	227117	BACK PANEL 1200MM WIDE
12	228935	GAS HOUSING

8.4.3 Leg Stand Base



Item	Part no	Description
1	230354	SIDE COVER RH
2	227123	TOP TRIM 600MM
	227120	TOP TRIM 900MM
	227125	TOP TRIM 1200MM
3	227853	LEG EXTENSION 530 X Ø63.5
4	227408	BASE TRAY 600MM
	227407	BASE TRAY 900MM
	227409	BASE TRAY 1200MM
5	227075	SILL 600MM WA
	227901	SILL 900MM WA
	227902	SILL 1200MM WA
6	227851	LEG 150MM X Ø63.5 EXTD THREAD
7	229674	REAR ROLLER ASSEMBLY
8	748010	SCREW 5/8"X1 HEX SET ZP
9	229673	LEG RING PLATE PLAIN
10	230355	SIDE COVER LH
11	228313	HOB BACK PANEL SUPPORT 600MM
	228312	HOB BACK PANEL SUPPORT 900MM
	228314	HOB BACK PANEL SUPPORT 1200MM

Australia

VICTORIA - MOFFAT PTY

HEAD OFFICE AND MAIN WAREHOUSE

740 Springvale Road

Mulgrave VIC 3170

Spare Parts Department

Tel (03) 9518 3888

Fax (03) 9518 3838

Free Call 1800 337 963

Fax (03) 9518 3895

NEW SOUTH WALES - MOFFAT PTY

Unit 3/142 James Ruse Drive

Rosehill

NSW 2142

Spare Parts

Tel (02) 8833 4111

Free Call 1800 337 963

Fax (03) 9518 3895

QUEENSLAND - MOFFAT PTY

30 Prosperity Place

Geebung QLD 4034

Spare Parts

Tel (07) 3630 8600

Free Call 1800 337 963

Fax (03) 9518 3895

WESTERN AUSTRALIA - MOFFAT PTY

67 Howe St

Osbourne Park, WA 6017

Spare Parts

Tel (08) 9202 6820

Fax (08) 9202 6836

Free Call 1800 337 963

Fax (03) 9518 3895

**NATIONAL COVERAGE FOR 24 HOUR SERVICE OR MAINTENANCE DIAL
FREE CALL 1800 622 216 (AUSTRALIA ONLY)**

Canada

SERVE

CANADA

22 Ashwarren Rd

Downview Fax

Ontario

M3J1Z5

Tel 416-631-0601

416-631-0315

New Zealand

CHRISTCHURCH - MOFFAT LTD

16 Osborne St

PO Box 10-001

Christchurch

Spare Parts

Tel (03) 389 1007

Fax (03) 389 1276

Free Call 0800 MOFFAT
(0800 66 33 28)

Fax (03) 381 3616

AUCKLAND - MOFFAT LTD

4 Waipuna Road

Mt Wellington

Auckland

Spare Parts

Tel (09) 574 3150

Fax (09) 574 3159

Free Call 0800 MOFFAT
(0800 66 33 28)

United Kingdom

Utensils Direct
0845 873 6600
www.utensilsdirect.co.uk